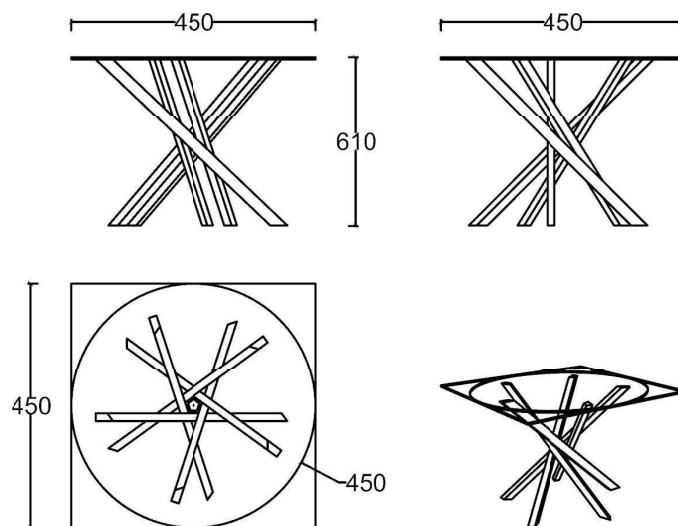


PENDE SIDE TABLE

The pende series uses five legs (pende is in fact the Greek word for "five") and it has each straight leg pass around the centre of the spiral without actually needing any jointing from one leg to another. Our patent pending designed polygon bracket is the only simple form of fixing the legs need, and the precise nature of the angles lets each leg rest on the leg to its right, whilst having the leg on it's left rest directly on it. This makes the entire underframe network connection self-tightening and self-supporting as well as incredibly strong – and all without the use of any adhesive!

Each version of the Pende table is available in either a square or round top. The top can also be either timber or glass as preferred.



Dimensions (mm)

Square Top (Glass): 450 x 450 x 610 high

Round Top (Glass): 450 Diameter x 610 high

Materials

Glass (top), Wood (legs), Stainless Steel

Wood Legs: Mountain Ash, Silver Wattle, Tasmanian Blackwood,
Tasmanian Myrtle, American White Ash, Cambia Ash

Finish

Clear, matte finish, water based on wooden components

Design

PodMarket Pty Ltd (Patent Pending)

Made in Melbourne